

WCB-Flow Products

An SPX Process Equipment Operation

Butterfly & Ball Valves

Butterfly & Ball Valves

Application

WCB-Flow Products offers butterfly and ball valves servicing a wide variety of markets. These valves are widely accepted for use in both sanitary and industrial markets. These valves are proven to be used with high viscous products, high temperatures, and corrosive elements. These valves are offered as a standard in Clamp (S-Line) and Weld connections, other connections are available upon request.

Butterfly Valves

Materials

Butterfly: Stainless Steel, 304
Seat Material: Silicone, EPDM, Viton
Finish: 32Ra ID & OD

Pressure Ratings

Size	70° F
1"	140 PSI
1 1/2"	140 PSI
2"	140 PSI
2 1/2"	110 PSI
3"	110 PSI
4"	85 PSI

Torque Ratings

Size (in)	Torque (in-lb)
1	52
1.5	70
2	105
2.5	195
3	230
4	350

Ball Valves

Materials

Ball: Stainless Steel, 316
Seat Material: Teflon
Finish: 32Ra ID & OD

Pressure Ratings

Size	70° F	200° F	300° F
.50"	1300 PSI	900 PSI	600 PSI
.75"	1300 PSI	900 PSI	600 PSI
1"	1100 PSI	775 PSI	450 PSI
1 1/2"	1100 PSI	775 PSI	450 PSI
2"	900 PSI	700 PSI	425 PSI
2 1/2"	900 PSI	700 PSI	425 PSI
3"	900 PSI	700 PSI	425 PSI
4"	900 PSI	700 PSI	425 PSI

Torque Ratings

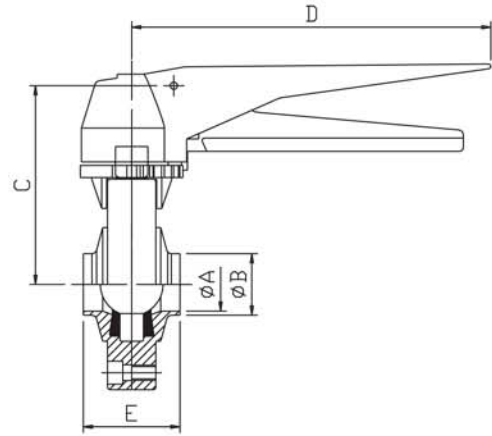
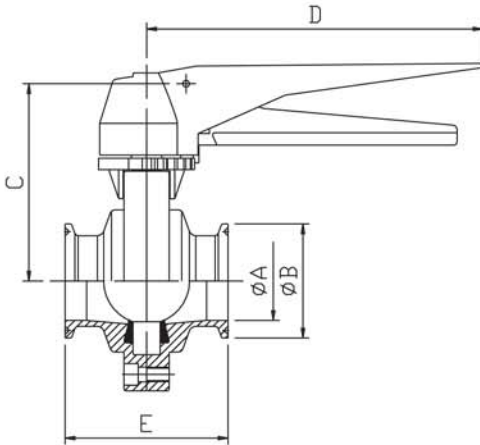
Size (in)	Torque (in-lb)
0.5	86
0.75	103
1	130
1.5	240
2	280
2.5	450
3	650
4	950



 **Expert Process Systems**

Phone: 570.424.0581 Fax 570.424.0582
New Jersey: 732.396.1991 Fax: 732.396.4911

Dimensions



Clamp Connections

Size (Inch)	Part Number	A	B	C	D	E
1	200L07104 - E-V-S*	0.87	1.98	3.23	5.91	2.52
1.5	200L07204 - E-V-S*	1.37	1.98	3.43	5.91	2.83
2	200L07304 - E-V-S*	1.87	2.52	3.68	5.91	2.83
2.5	200L07404 - E-V-S*	2.37	3.05	3.68	5.91	2.99
3	200L07504 - E-V-S*	2.87	3.58	4.02	5.91	2.99
4	200L07604 - E-V-S*	3.83	4.68	4.70	5.91	4.09

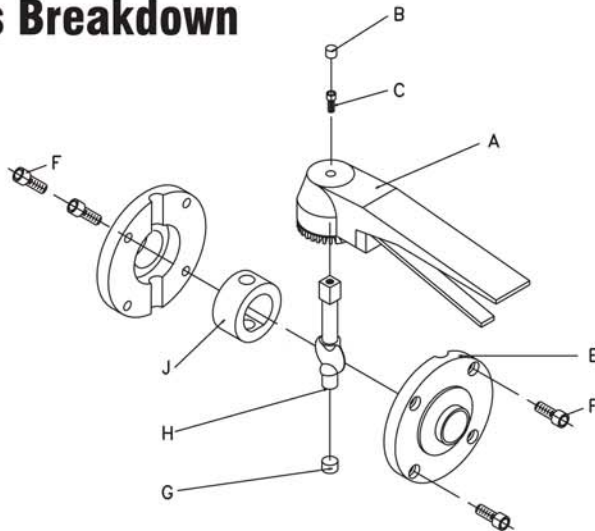
*E = EPDM, V = Viton, S = Silicon

Weld Connections

Size (Inch)	Part Number	A	B	C	D	E
1	200907104 - E-V-S*	0.87	1	3.23	5.91	1.57
1.5	200907204 - E-V-S*	1.37	1.5	3.43	5.91	1.97
2	200907304 - E-V-S*	1.87	2	3.68	5.91	1.97
2.5	200907404 - E-V-S*	2.37	2.5	3.68	5.91	1.97
3	200907504 - E-V-S*	2.87	3	4.02	5.91	1.97
4	200907604 - E-V-S*	3.83	4	4.70	5.91	2.52

*E = EPDM, V = Viton, S = Silicon

Parts Breakdown



Item	QTY	Description	Material
A	1	Multi-Position Handle	
B	1	Handle Cap	NBR
C	1	Handle Screw	304
E	2	Body Half Weld	304 or 316L
E	2	Body Half Clamp	304 or 316L
F	4	Body Bolt	304
G	1	Body Cap	NBR
H	1	Disc	304 or 316L
J	1	Seal (EPDM, Silicone, Viton)	

Replacement Butterfly Seals (Item J)

Part Number	Description
200000100E	1" EPDM Seal
200000100V	1" Viton Seal
200000100S	1" Silicon Seal
200000200E	1.5" EPDM Seal
200000200V	1.5" Viton Seal
200000200S	1.5" Silicon Seal
200000300E	2" EPDM Seal
200000300V	2" Viton Seal
200000300S	2" Silicon Seal
200000400E	2.5" EPDM Seal
200000400V	2.5" Viton Seal
200000400S	2.5" Silicon Seal
200000500E	3" EPDM Seal
200000500V	3" Viton Seal
200000500S	3" Silicon Seal
200000600E	4" EPDM Seal
200000600V	4" Viton Seal
200000600S	4" Silicon Seal

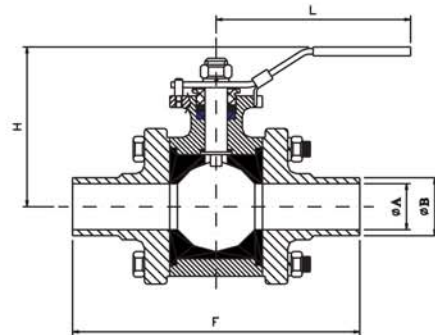
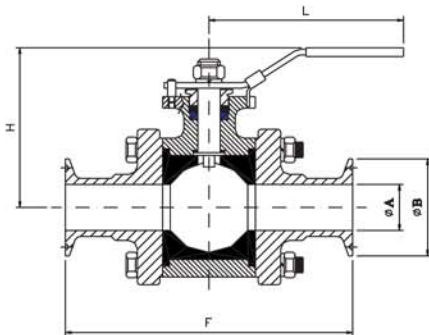
Replacement Handles (Items A, B, C)

(Includes Handle, Positioner**, Screw, & Cap)

Description	Part Number
Valve Handle - 1.0" - 3.0"	200000500H
Valve Handle - 4.0"	200000600H

** 13 Position Handle

Dimensions



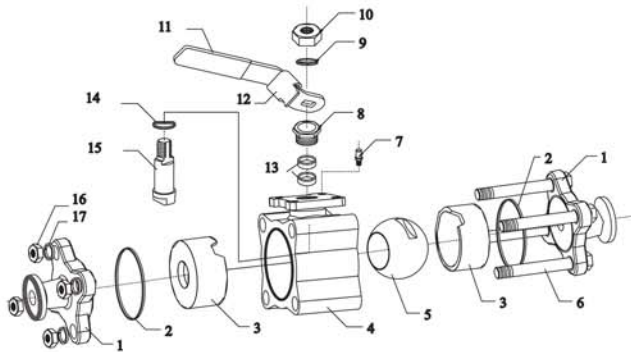
Clamp Connections

Size	Part Number	A	B	F	H	L
0.5	250L07E06T	0.37	1	3.48	2.05	3.94
0.75	250L07F06T	0.62	1	4.02	2.28	5.20
1	250L07106T	0.87	1.98	4.53	2.44	5.20
1.5	250L07206T	1.37	1.98	5.53	3.86	6.89
2	250L07306T	1.87	2.52	6.26	4.09	6.89
2.5	250L07406T	2.37	3.05	7.76	5.55	10.24
3	250L07506T	2.87	3.58	9	6.10	10.24
4	250L07606T	3.83	4.68	9.50	6.89	10.24

Weld Connections

Size	Part Number	A	B	F	H	L
0.5	250907E06T	0.37	0.5	3.48	2.05	3.94
0.75	250907F06T	0.62	0.75	4.02	2.28	5.20
1	250907106T	0.87	1	4.53	2.44	5.20
1.5	250907206T	1.37	1.5	5.53	3.86	6.89
2	250907306T	1.87	2	6.26	4.09	6.89
2.5	250907406T	2.37	2.5	7.76	5.55	10.24
3	250907506T	2.87	3	9	6.10	10.24
4	250907606T	3.83	4	9.50	6.89	10.24

Parts Breakdown



Item	QTY	Description	Material
1	2	Flange	316
2	2	Gasket	PTFE
3	1	Seat	PTFE
4	1	Body	316
5	1	Ball	316
6	4	Hex Bolt	304
7	1	Pin	304
8	1	Packing Gland	304
9	1	Handle Washer	304
10	1	Handle Nut	304
11	1	Handle Cover	Plastic
12	1	Locking Handle	304
13	2	Stem Packing	PTFE
14	1	Thrust Washer	PTFE
15	1	Stem	304
16	4	Hex Nut	304
17	4	Lock Washer	304

Replacement Seats & Gaskets (Item 3)

Part Number	Description
250000E0ST	Encapsulated Teflon Seat 0.5"
250000F0ST	Encapsulated Teflon Seat 0.75"
25000010ST	Encapsulated Teflon Seat 1"
25000020ST	Encapsulated Teflon Seat 1.5"
25000030ST	Encapsulated Teflon Seat 2"
25000040ST	Encapsulated Teflon Seat 2.5"
25000050ST	Encapsulated Teflon Seat 3"
25000060ST	Encapsulated Teflon Seat 4"
250000E0GT	Teflon Body Gasket 0.5"
250000F0GT	Teflon Body Gasket 0.75"
25000010GT	Teflon Body Gasket 1"
25000020GT	Teflon Body Gasket 1.5"
25000030GT	Teflon Body Gasket 2"
25000040GT	Teflon Body Gasket 2.5"
25000050GT	Teflon Body Gasket 3"
25000060GT	Teflon Body Gasket 4"

Replacement Handles (Items 11 & 12)

Description	Part Number
Valve Handle - .50" & .75"	2500000F00H
Valve Handle - 1.0"	2500000100H
Valve Handle - 1.5" & 2.0"	2500000300H
Valve Handle - 2.5" & 3.0"	2500000500H
Valve Handle - 4.0"	2500000600H

Other WCB - Flow Product Offerings



Sanitary Fittings



BPE Fittings



Specialty Products



Tubing



Phone: 570.424.0581 Fax 570.424.0582
New Jersey: 732.396.1991 Fax: 732.396.4911
Web: www.expertprocesssystems.com
e-mail: info@expertprocesssystems.com

WCB-Flow Products

An SPX Process Equipment Operation