



**Waukesha  
Cherry-Burrell**

**e**xpert Process Systems

Phone: 570.424.0581 Fax 570.424.0582  
New Jersey: 732.396.1991 Fax: 732.396.4911

SAMPLE VALVES  
CHECK VALVES  
BUTTERFLY VALVES  
BALL VALVES  
WAUKESHA CHERRY  
MIX PROOF  
SENTINEL IV

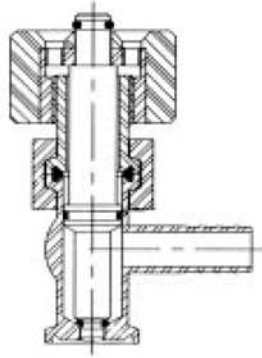


VALVE PRODUCT LINE

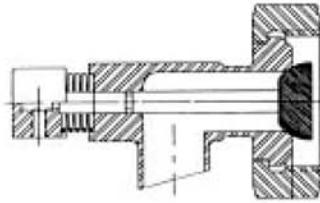
# Sampling valves



Phone: 570.424.0581 Fax 570.424.0582  
New Jersey: 732.396.1991 Fax: 732.396.4911

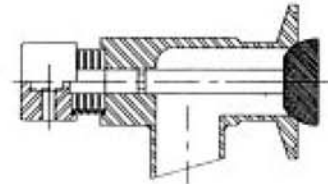


W30 High Pressure/High Temperature



30SA Sampling Valve  
Bevel Seat (Hex-nut) Connection

| Size  | Order No. |
|-------|-----------|
| 1-1/2 | 312-893X  |
| 2     | 312-894X  |

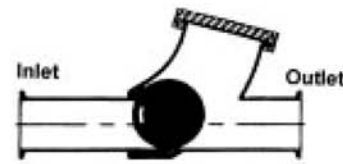


K30SA Sampling Valve  
Clamp Connection

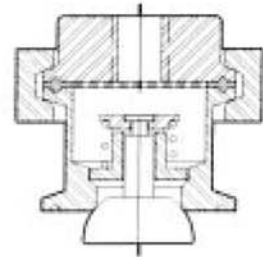
| Size  | Order No. |
|-------|-----------|
| 1-1/2 | 312-895X  |
| 2     | 312-896X  |

|          |                   |                   |
|----------|-------------------|-------------------|
| W3000004 | 1/2" / 3/4" Clamp | 1/4" Hose Barb    |
| W3000003 | 1/2" / 3/4" Clamp | 3/8" Hose Barb    |
| W3000005 | 1/2" / 3/4" Clamp | 1/2" Hose Barb    |
| W3000009 | 1 1/2" Clamp      | 1/4" Hose Barb    |
| W3000010 | 1 1/2" Clamp      | 3/8" Hose Barb    |
| W3000008 | 1 1/2" Clamp      | 1/2" Hose Barb    |
| W3000012 | 2" Clamp          | 1/4" Hose Barb    |
| W3000007 | 2" Clamp          | 3/8" Hose Barb    |
| W3000013 | 2" Clamp          | 1/2" Hose Barb    |
| W3000006 | 1/2" / 3/4" Clamp | 1/2" S-Line Clamp |
| W3000011 | 1 1/2" Clamp      | 1/2" S-Line Clamp |
| W3000014 | 2" Clamp          | 1/2" S-Line Clamp |

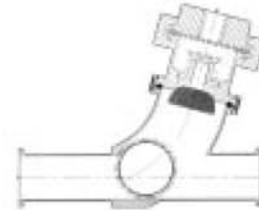
# Check valves



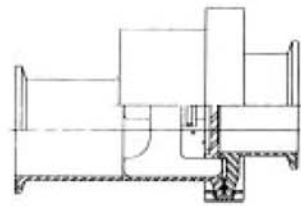
Ball Check



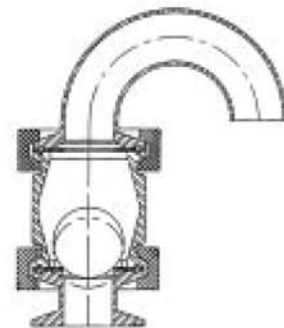
Air Blow Check



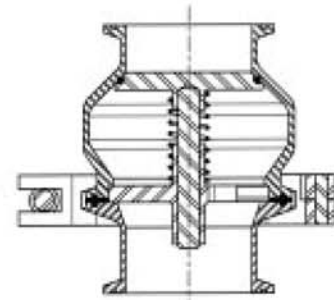
Ball Check with  
Air Blow Check



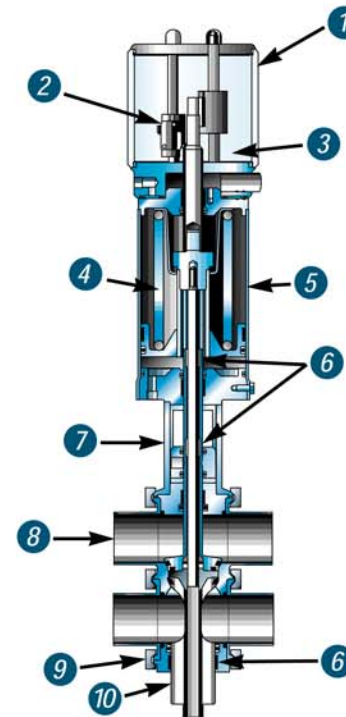
Horizontal Spring  
Check Valve



40CF-AR Air Relief Valve



Vertical Check W45



# Mix Proof

Sizes 1 1/2-inch through 4-inch

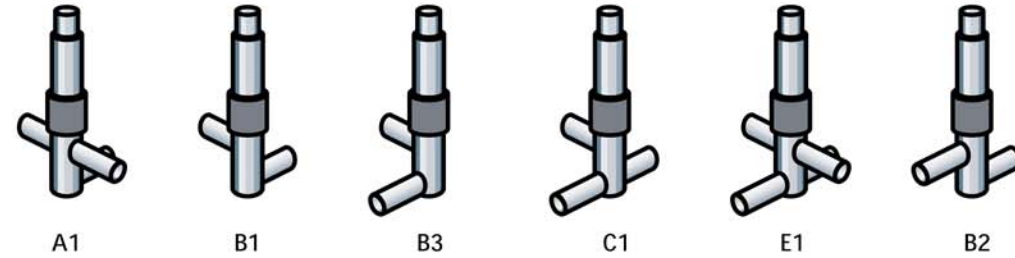
Mixed body sizes in all styles with external CIP and/or independent seat lifting

- 1 Transparent control top keeps position indicating switches visible. Control top separate; can be added later.
- 2 Choose between micro switches or proximity switches.
- 3 Available with or without solenoid valve.
- 4 Holds against 150 psig product with spring only in 1 1/2-inch through 4-inch sizes; opens against 150 psig with 60 psig air pressure.
- 5 Single actuator, equipped with one piston, opens and closes the valve.
- 6 Moving parts guided with PTFE bearings.

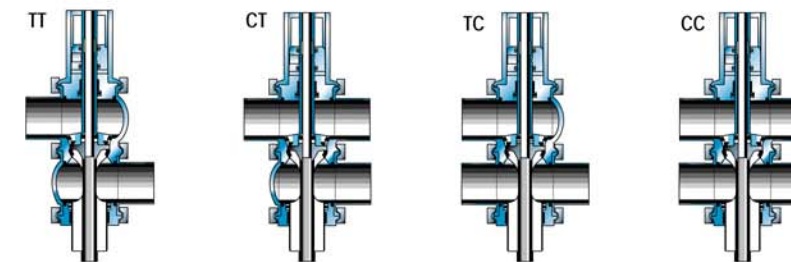
- 7 Open yoke between actuator and valve body.
- 8 Buttweld or clamp connections.
- 9 Removable lower bearing and seal carrier.
- 10 Water hammer safe: balance piston holds down the lower plug hydraulically to protect upper line during sudden pressure surges in the lower line.



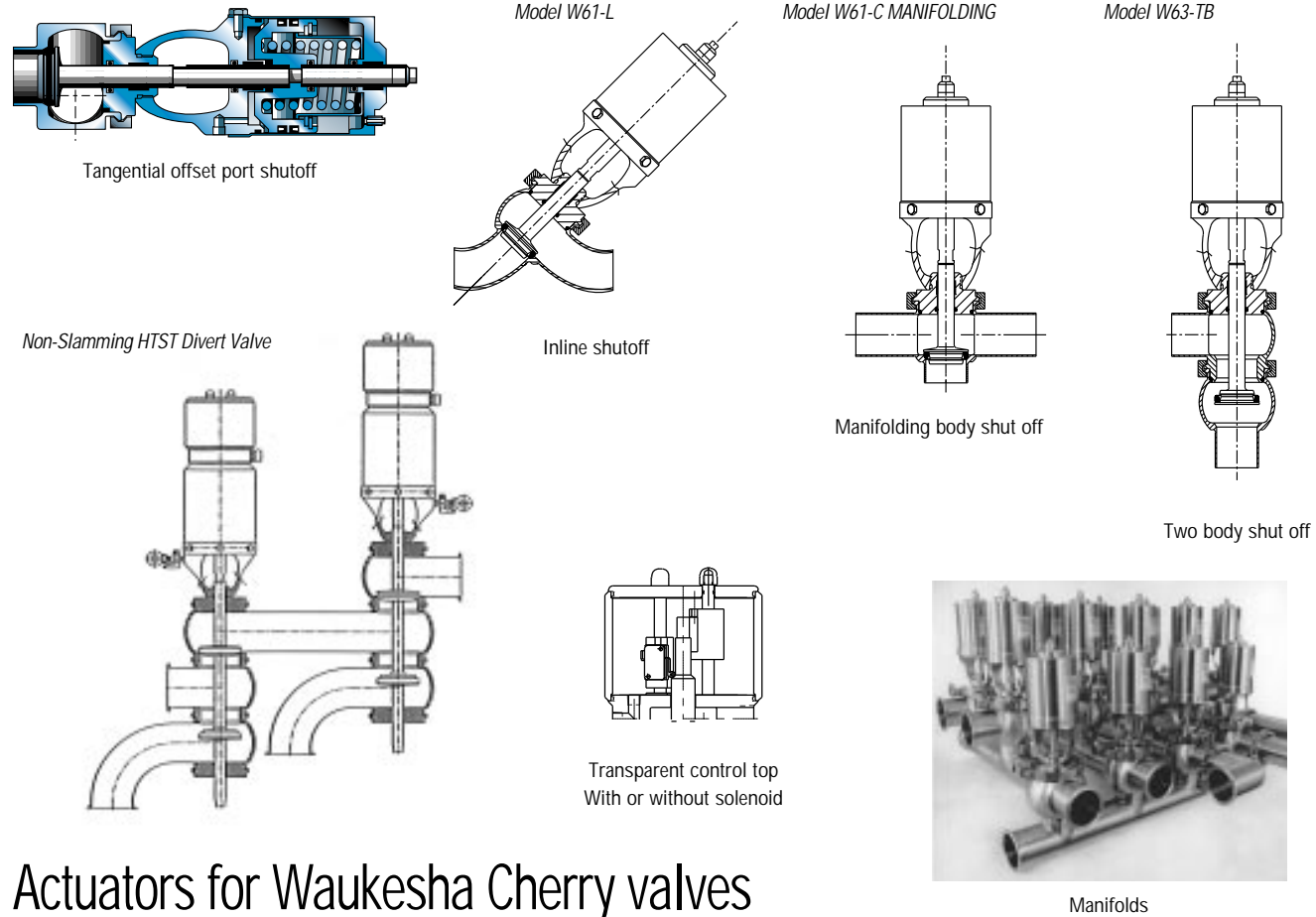
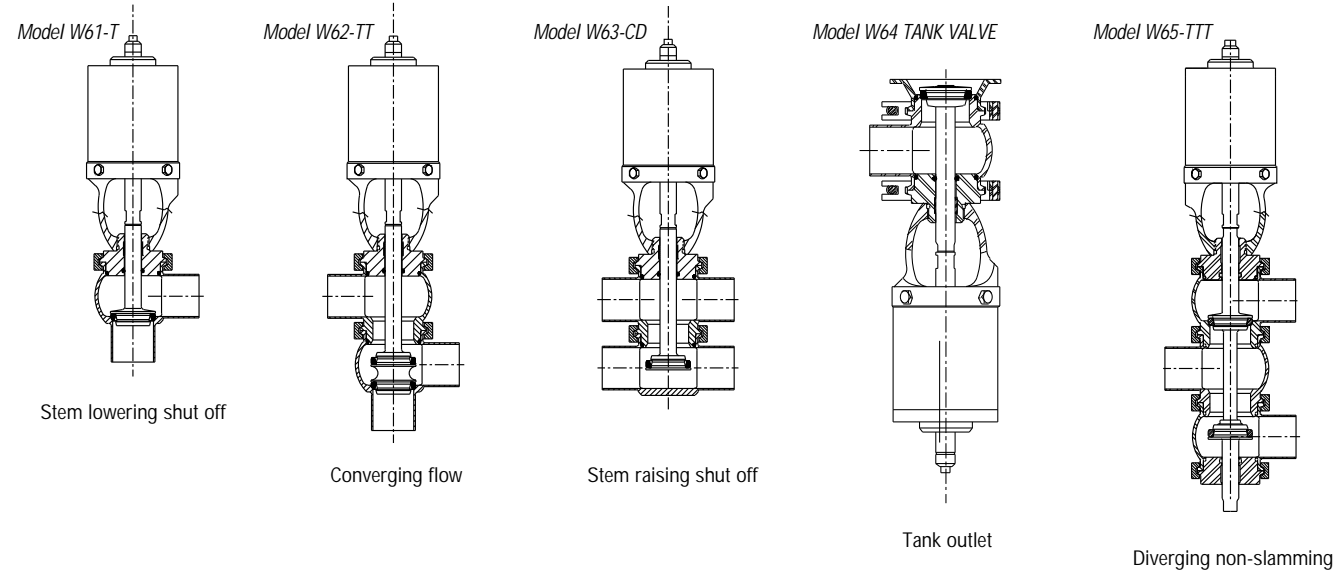
# One-piece Bodies (for manifolds)



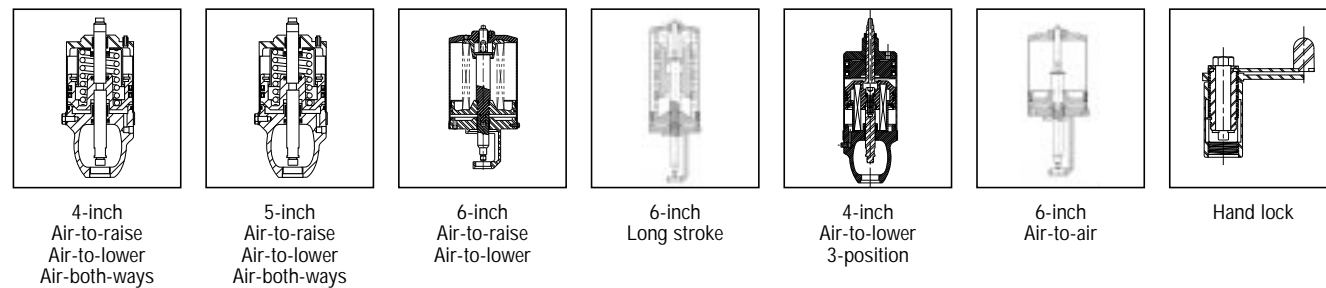
# Two-piece Bodies (for individual valves)



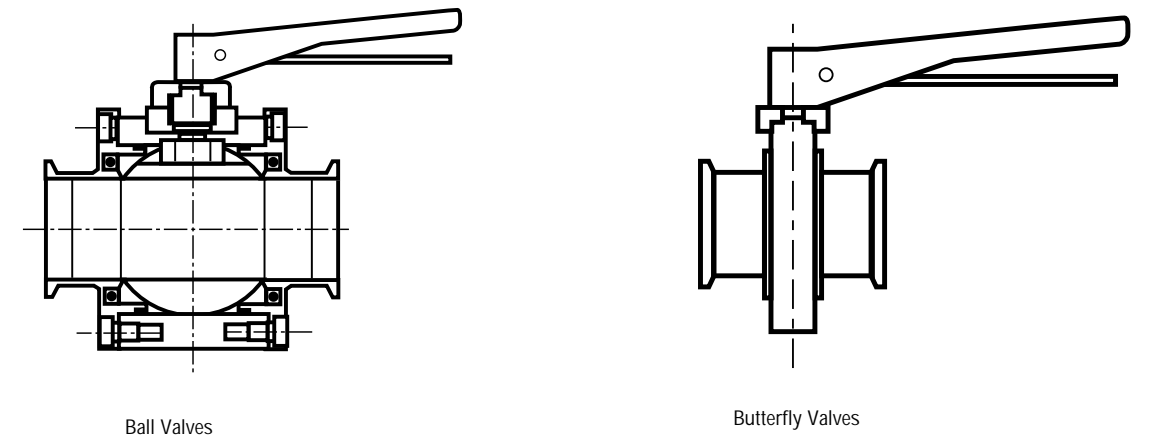
# Waukesha Cherry valves



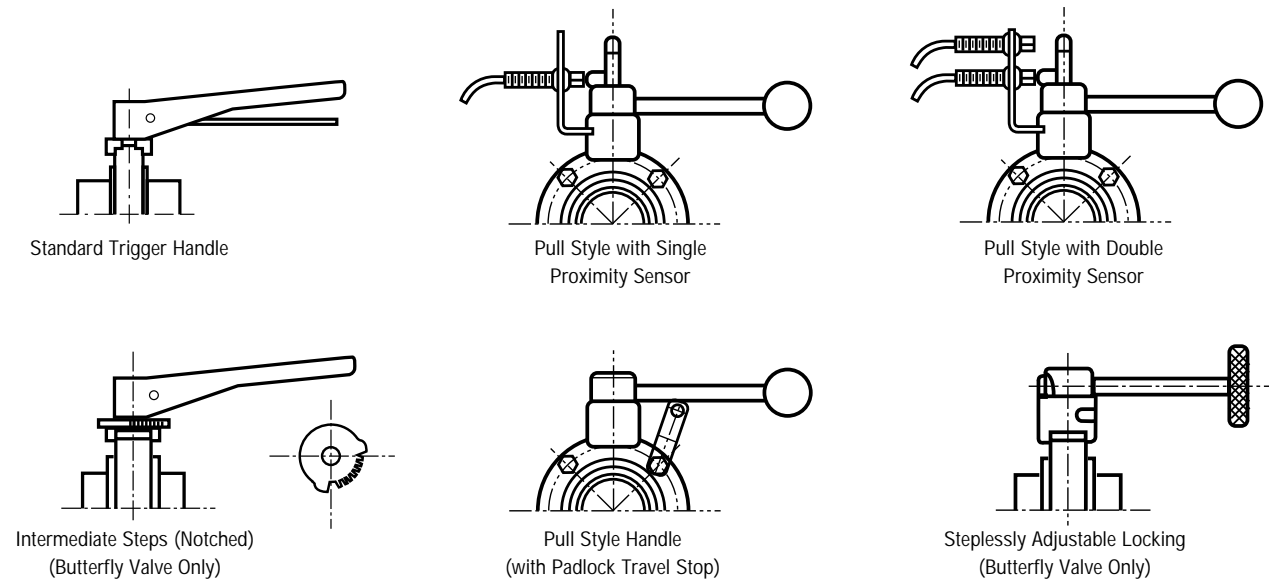
# Actuators for Waukesha Cherry valves



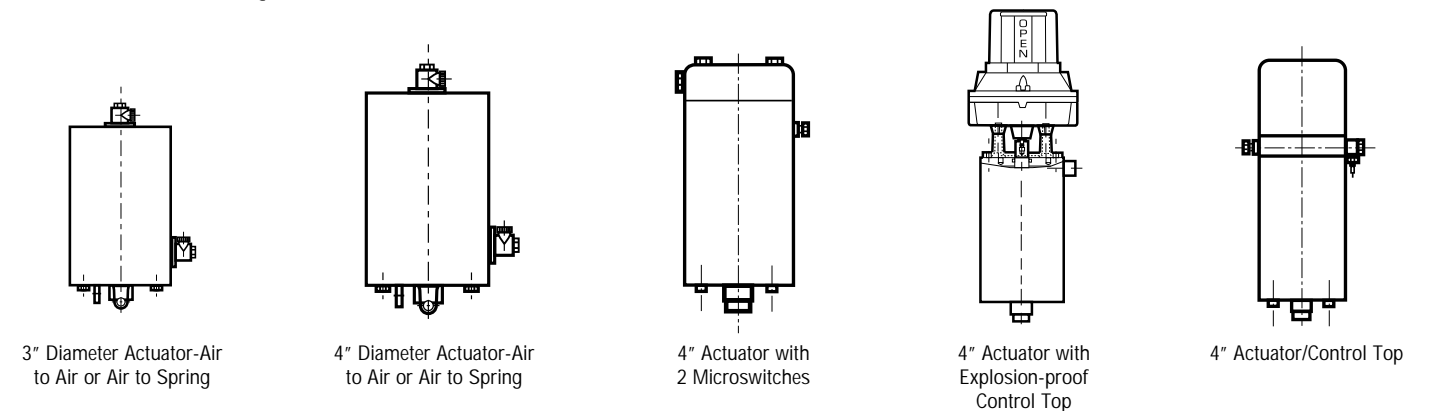
# Butterfly/Ball valves



# Handles for butterfly and ball valves



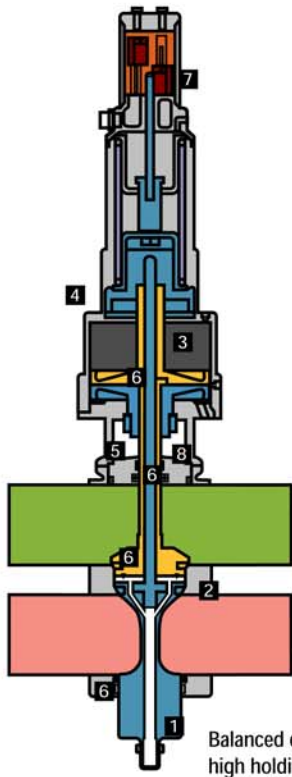
# Pneumatic actuators for butterfly and ball valves



# Sentinel® IV

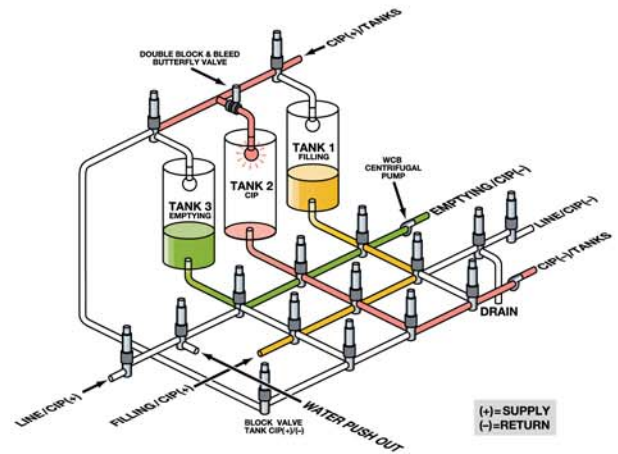
Sizes 2-inch through 6-inch

Mixed body sizes with external CIP and/or independent seat lifting



- 1 Water hammer safe: balance piston holds down the lower plug hydraulically to protect upper line during sudden pressure surges in the lower line
- 2 No valve body joints; solid, cylindrical body; no sanitation problems associated with alignment or pockets
- 3 Large diameter, air-loaded piston holds down the upper plug during cleaning of lower seat
- 4 A single actuator, equipped with three pistons, opens and closes the valve and independently lifts upper and lower plugs

- 5 Plug lift distance adjustable externally; no disassembly required
- 6 Moving parts guided with bearings
- 7 Position indicating switches are visible through clear control module housing
- 8 Open yoke between actuator and valve body



In this illustration, cleaning circuits for both upper and lower lines plus two different product flows are controlled through one Sentinel IV matrix.

## Body types



With  
 • PTFE (Teflon) seats  
 • Tri-ring seats



**Waukesha  
Cherry-Burrell**

A Unit of SPX Process Equipment

611 Sugar Creek Road  
Delavan, WI 53115 USA

**expert Process Systems**

Phone: 570.424.0581 Fax 570.424.0582  
 New Jersey: 732.396.1991 Fax: 732.396.4911  
 Web: [www.expertprocesssystems.com](http://www.expertprocesssystems.com)  
 e-mail: [info@expertprocesssystems.com](mailto:info@expertprocesssystems.com)

**ISO 9001  
CERTIFIED**

FH-1865  
 TA-5M-1098GRI  
 Printed in U.S.A.

Effective 10/98